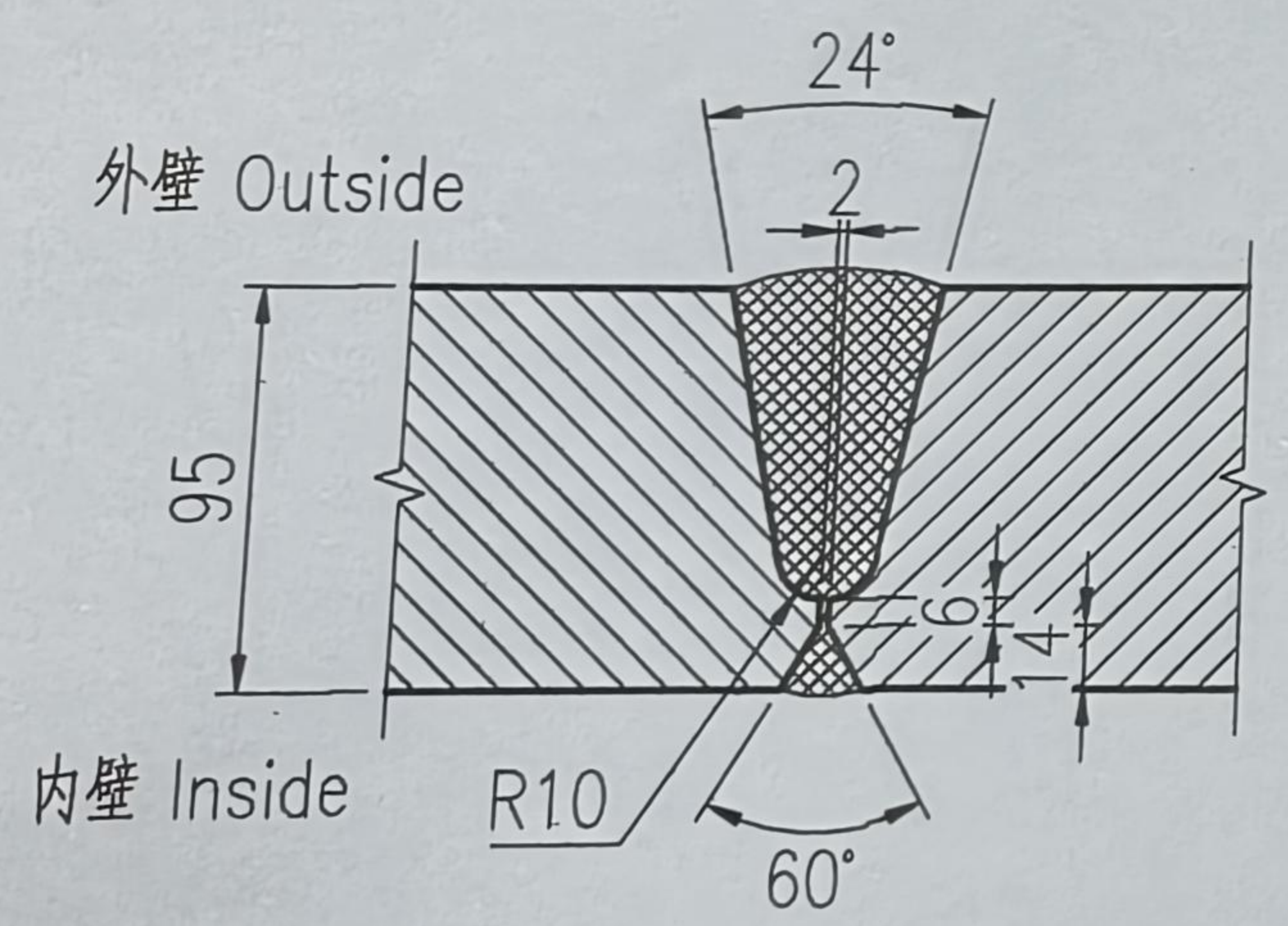
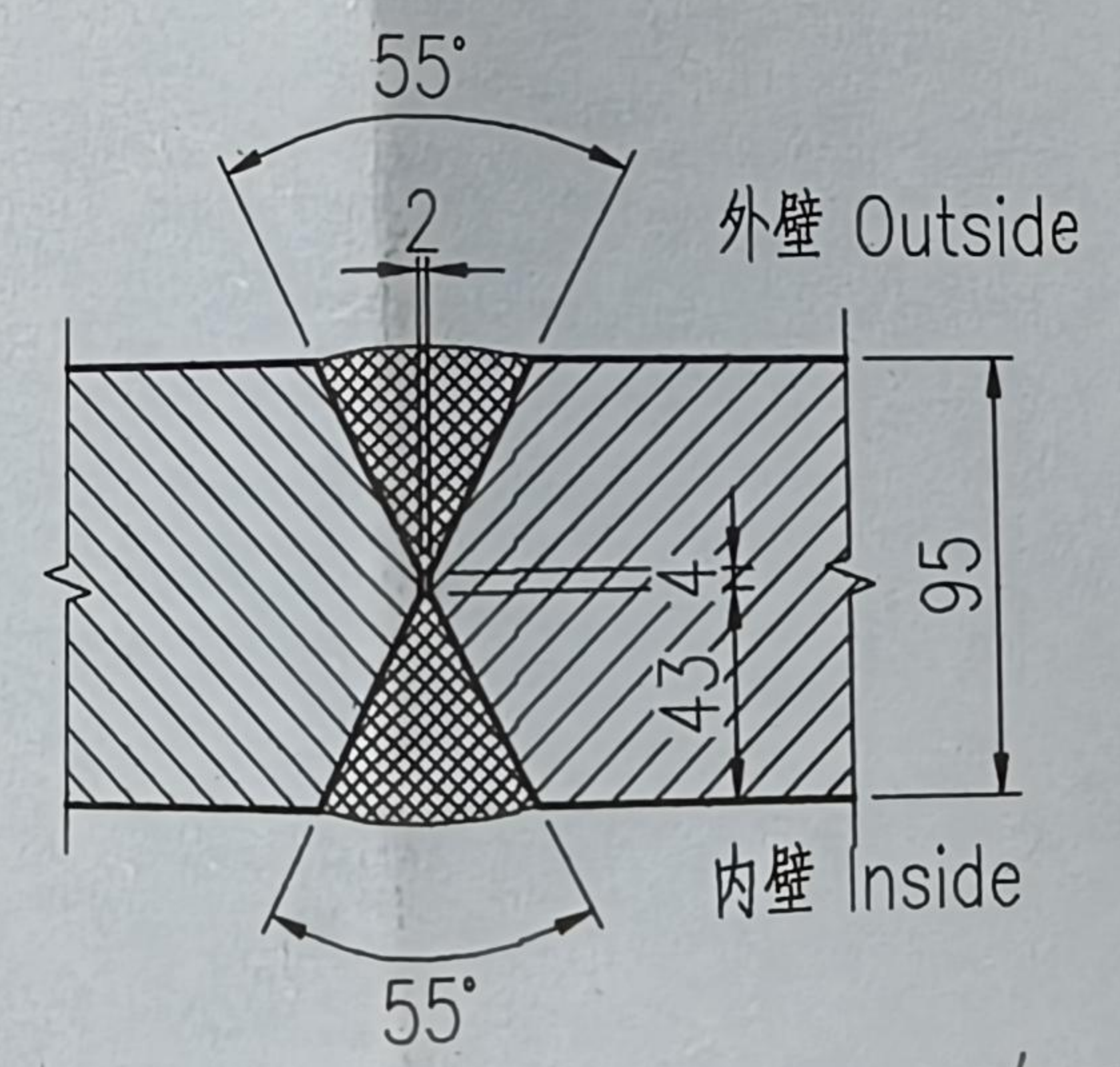


SA-105 3.1 One 736

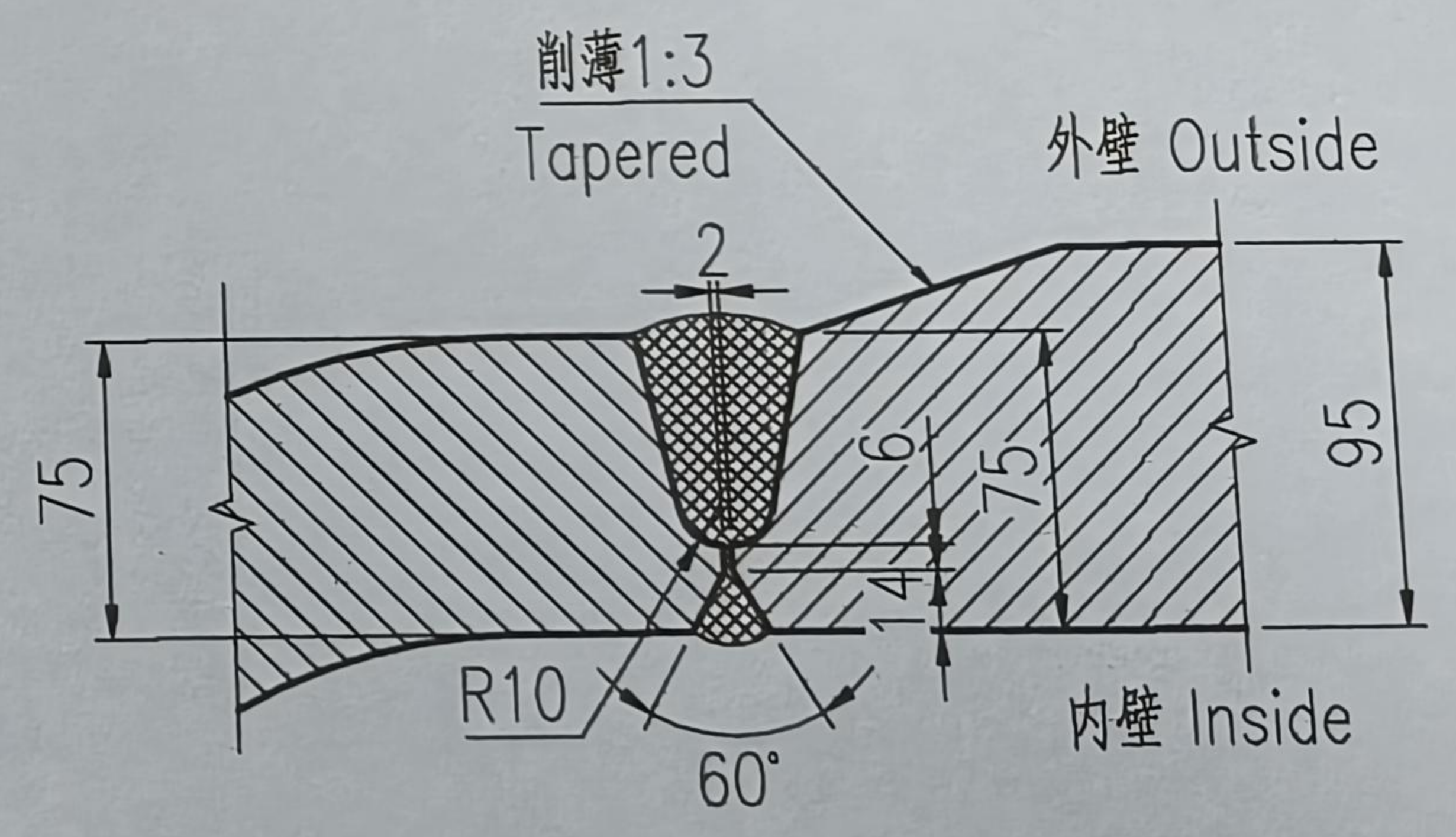
环焊缝
GIRTH WELD
1:4



纵焊缝
LONGITUDINAL WELD
1:4



筒体与封头焊缝
GIRTH WELD
1:4

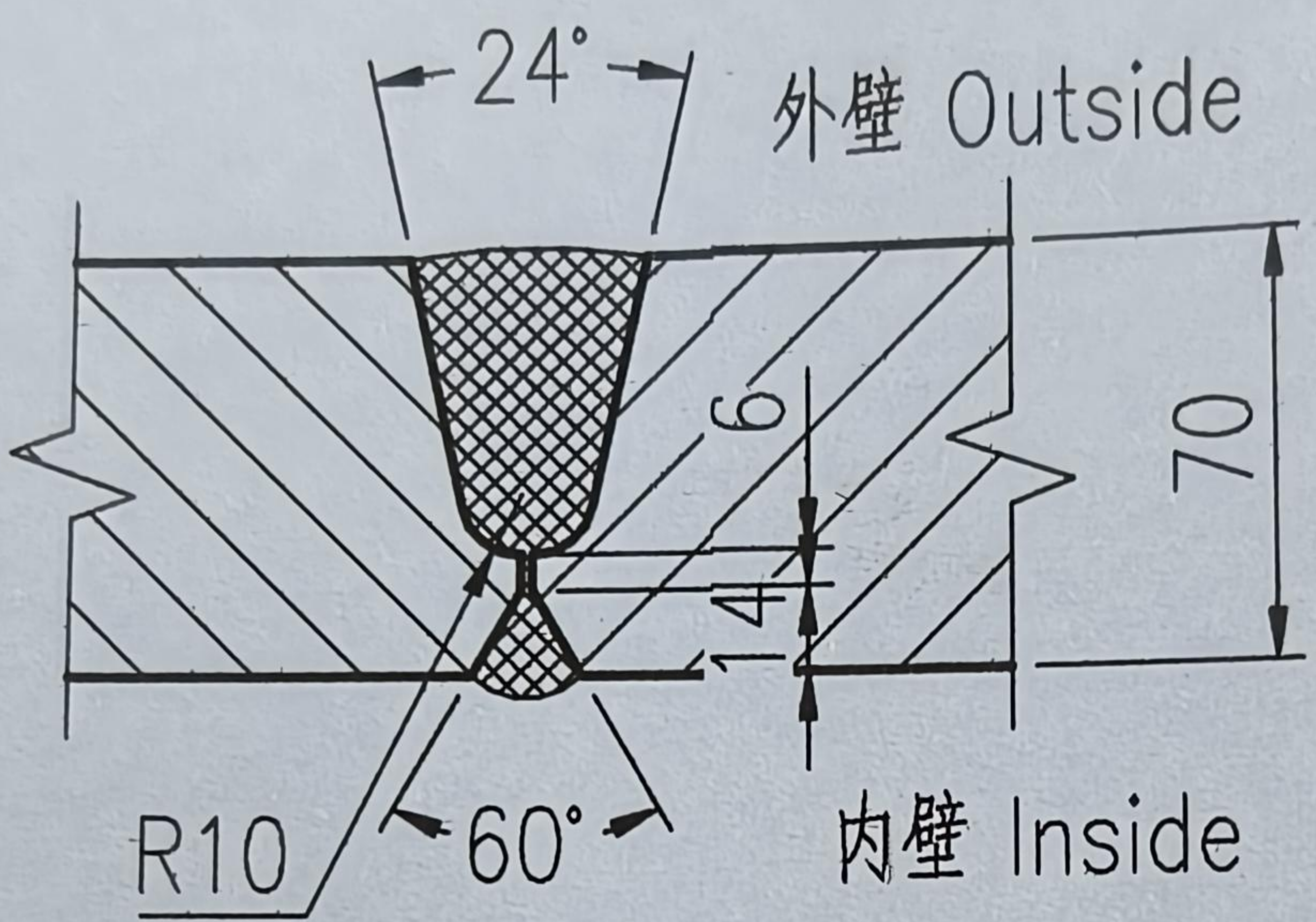


锅壳

34

筒体/封头环焊缝
GIRTH WELD

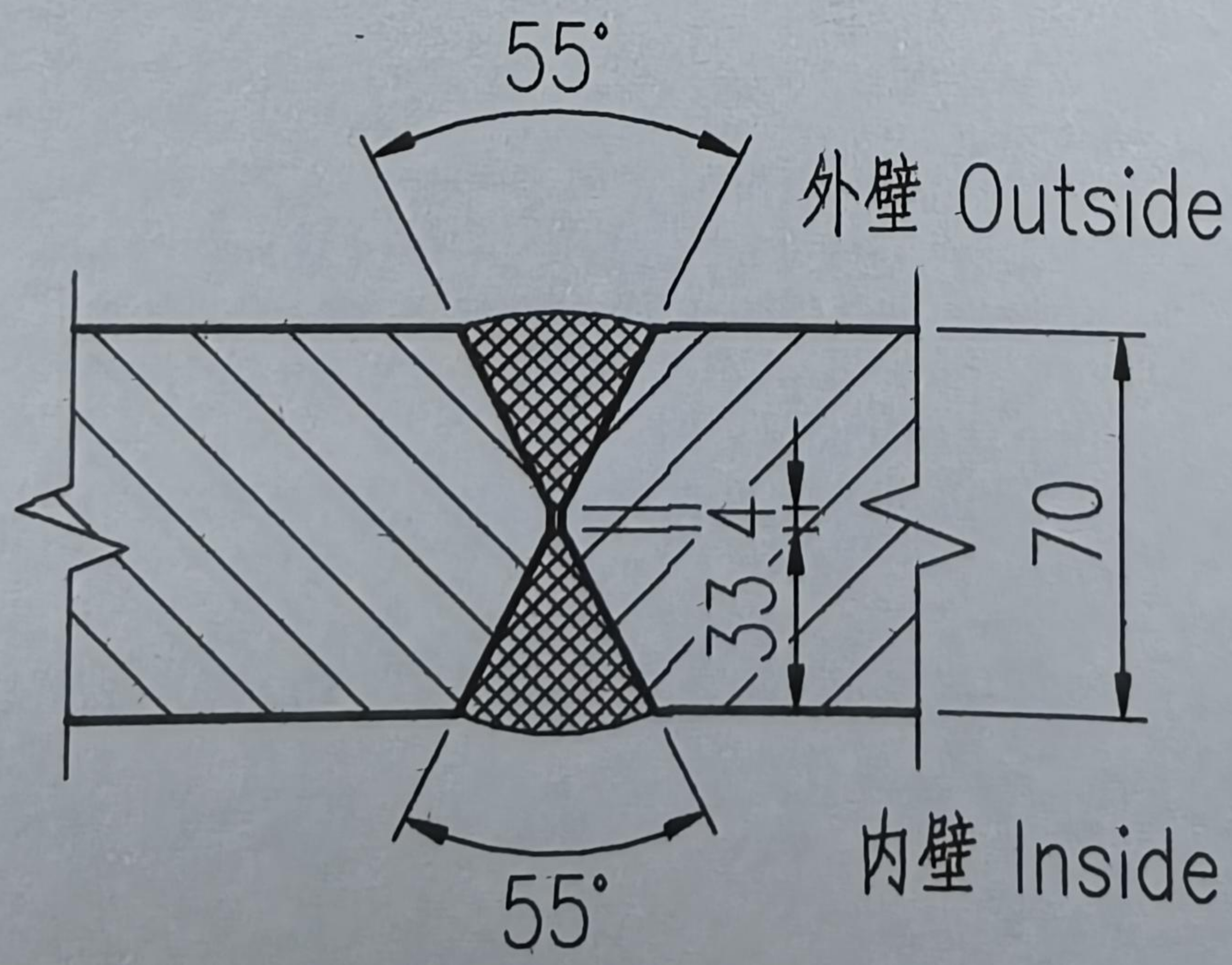
1:4



筒体纵焊缝
LONGITUDINAL WELD

1:4

汽包



技
1.
2.
10
3.
4.
5.
6.
Te
1.
Bo