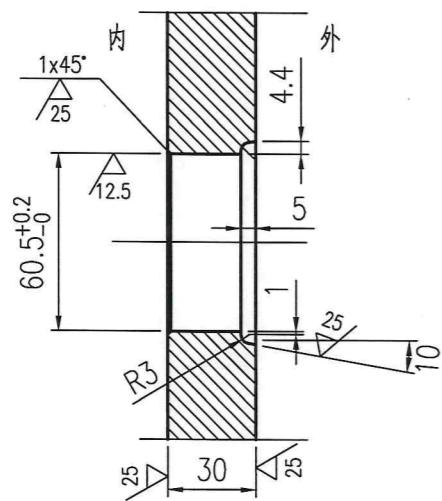
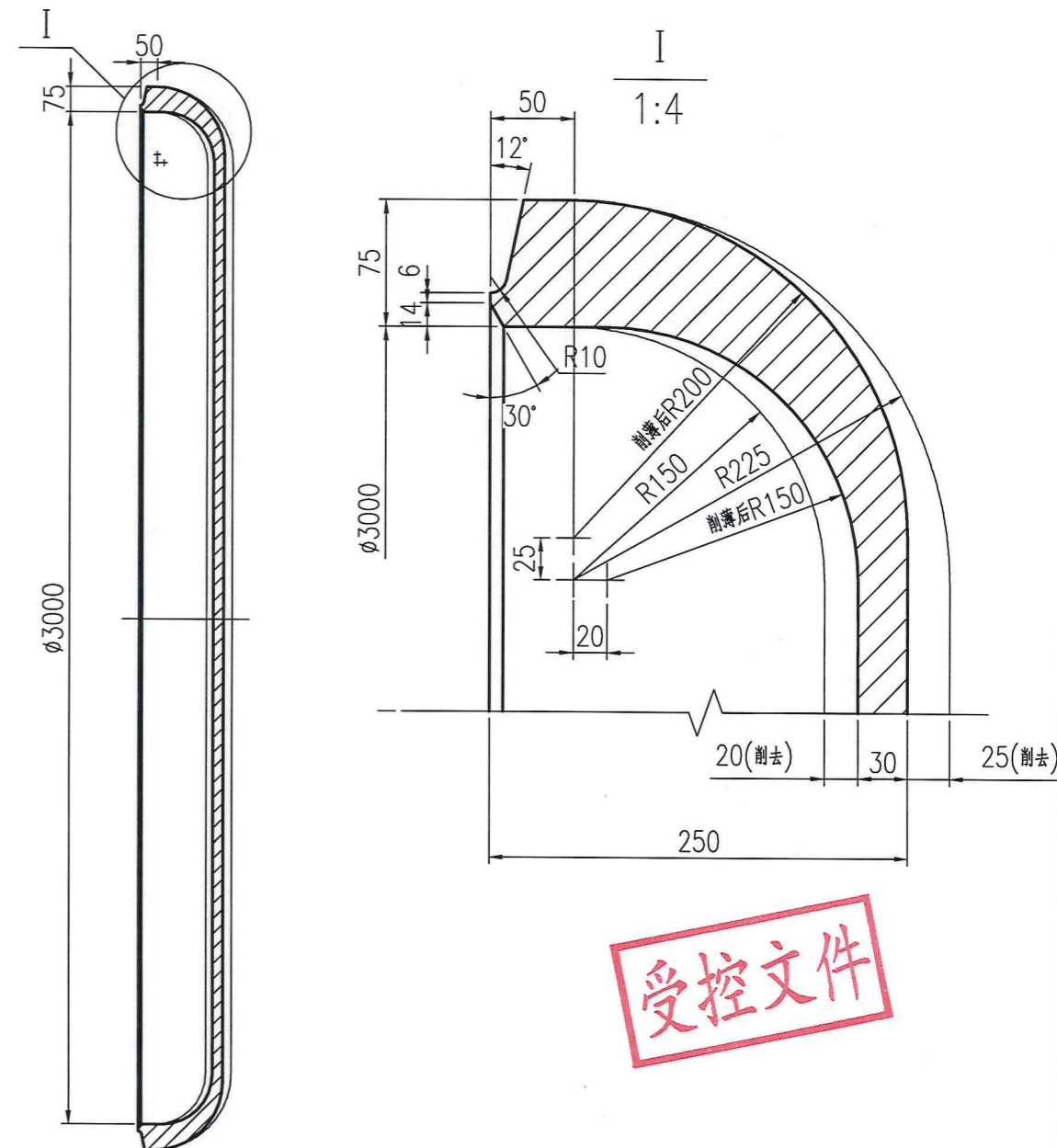
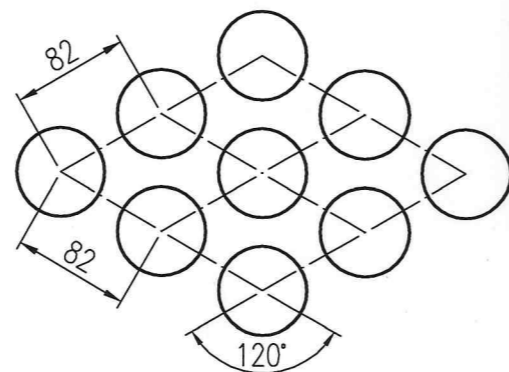


φ60.5开孔详图
DRILLING DETAIL
1:2



管孔排列详图
ARRANGE DETAIL
1:4



受控文件

技术要求:

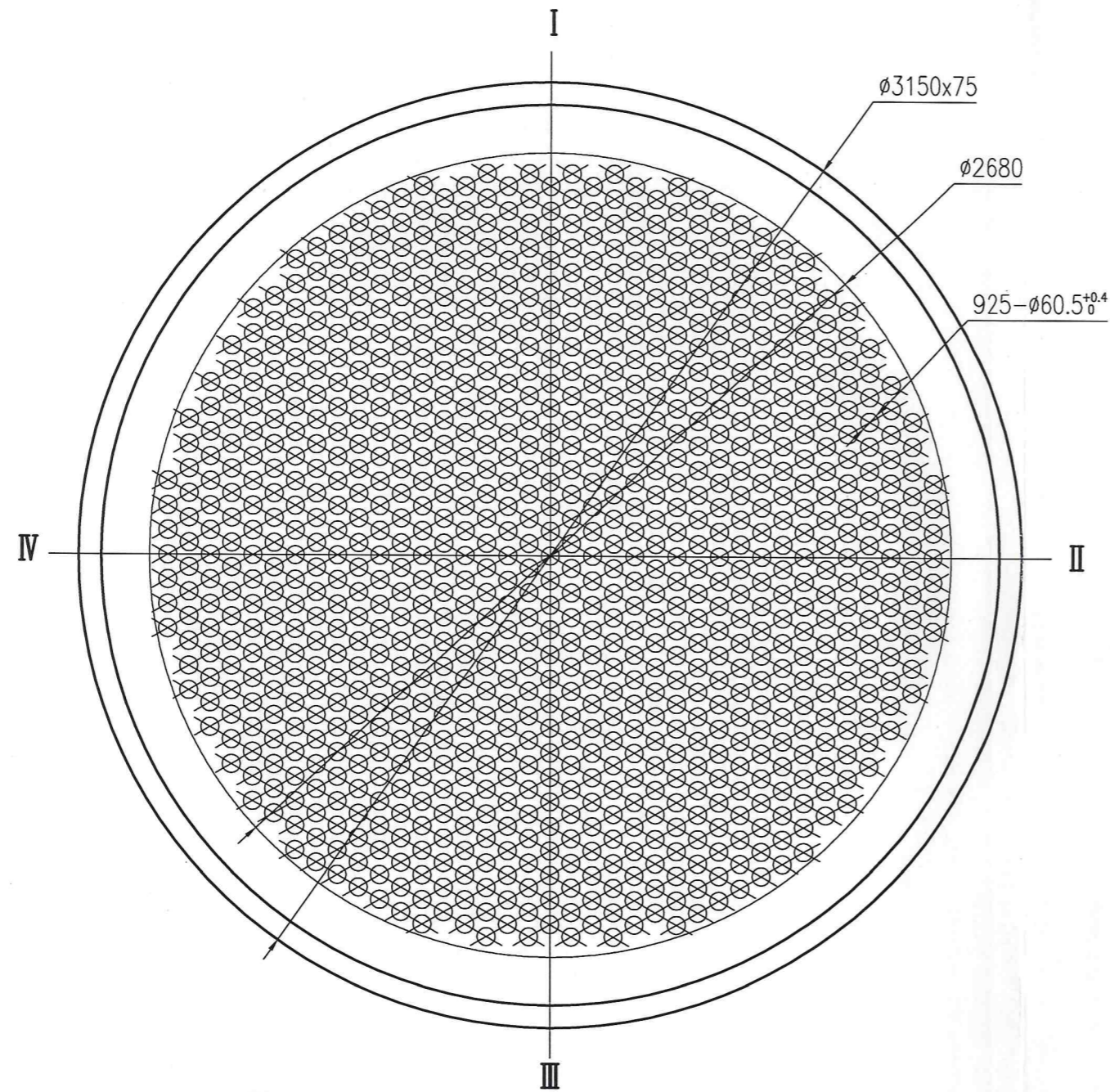
1. 本封头采用整板热压成型, 不允许拼接.
2. 封头同一断面直径差值不大于1.5mm, 内径偏差为±5mm, 削薄前管板平面度不大于10mm.
3. 管孔划线偏差不得大于1.50mm, 钻孔之前应经过签名验收手续.

Technical Notes:

1. This header shall be formed by hotcompacting. It's fobbiden to made of parts.
2. Differential length of radius at same cross-section shall be less than 1.5mm. The allowable tolerance of inside diameter shall be controled in ±5mm. The plane measure of header shall be less than 10 mm.
3. The allowable toerance of all the lines that connect collinear central points from head to end will be less than 1.50mm.

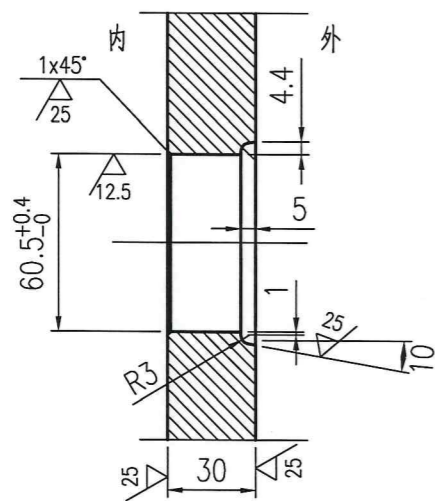
					江苏索普赛瑞装备制造有限公司 Jiangsu SOPO-CERE Equipment Manufacturing CO. Ltd.		
					SA-516 Gr.70		前平管板 ID3000 t=75 FRONT TUBESHEET
MARK 标记	TOTAL NO. 处数	FILE NO. 更改文件号	SIGN 签名	DATE 日期	WEIGHT(kg) 重量	SCALE 比例	
DESIGN 设计	许大宇 2024.2.19		SERIAL# 产品编号		3053	1:20	0
APPROVE 批准	赵晓梅 2024.2.19		24-1004GQ1/24-1005GQ1 24-1006GQ1/24-1007GQ1		TOTAL-PAGES 共 张	No.-PAGE 第 张	
					11SCG2402-2-2		

本图纸及相关文件版权属于江苏索普赛瑞装备制造有限公司所有, 任何单位和个人未经江苏索普赛瑞装备制造有限公司书面许可, 不得以任何方式复制或扩散至第三方, 违者应负相应法律责任。
THIS DRAWING AND RELEVANT DOCUMENT'S COPYRIGHT BELONGS TO SOPO-CERE EQUIPMENT MANUFACTURING CO., LTD. THEY MAY NOT BE REPRODUCED OR DISCLOSED TO ANY THIRD PARTY IN ANY FORM WITHOUT THE PRIOR WRITTEN PERMISSION OF Jiangsu SOPO-CERE EQUIPMENT MANUFACTURING CO., LTD. THE OFFENDERS SHALL BEAR THE CORRESPONDING LEGAL RESPONSIBILITY.



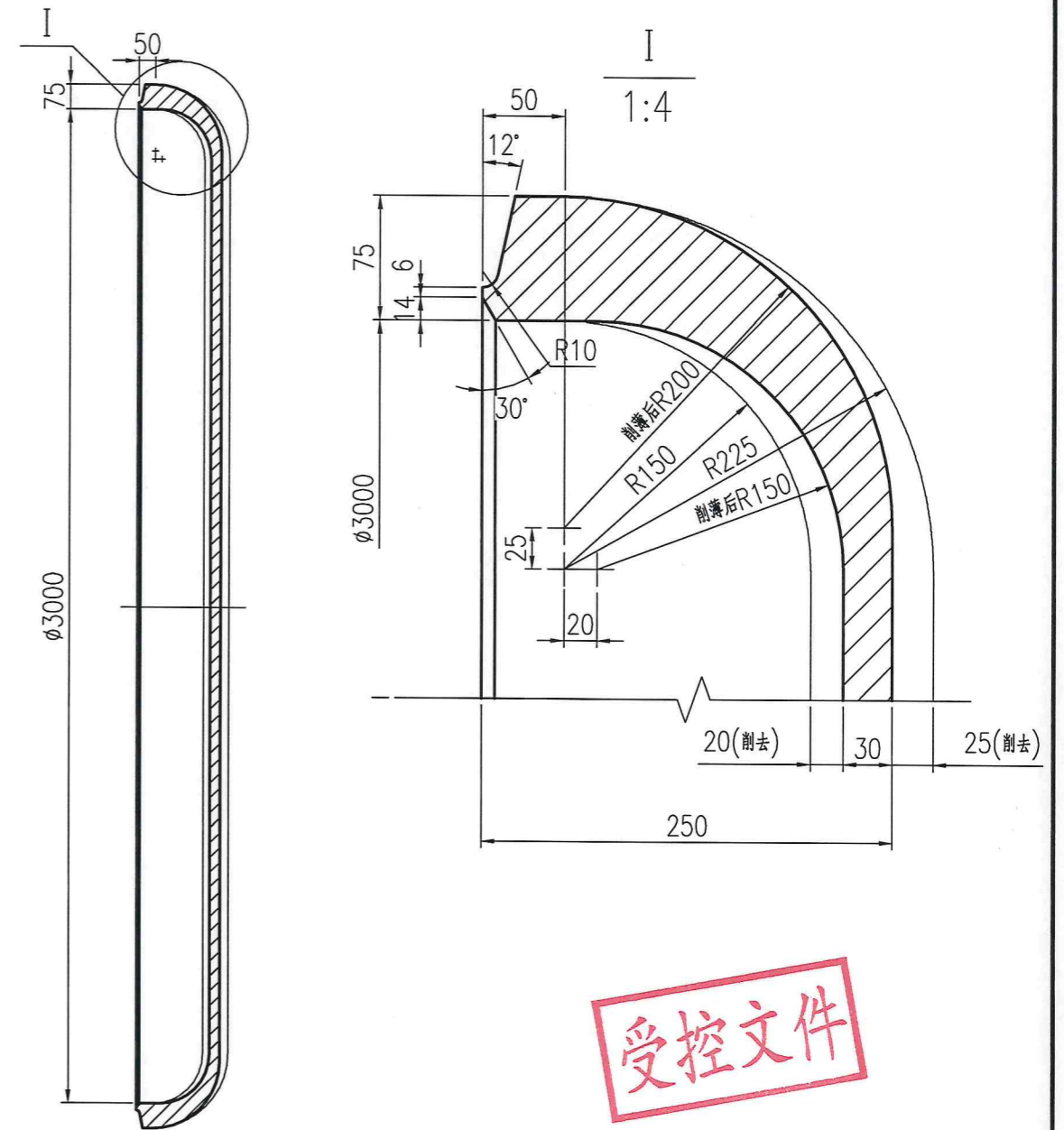
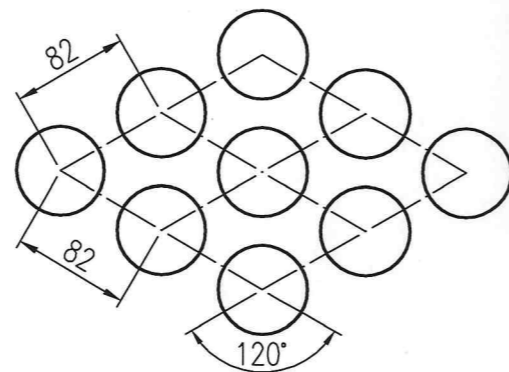
Ø60.5开孔详图
DRILLING DETAIL

1:2



管孔排列详图
ARRANGE DETAIL

1:4



受控文件

技术要求:

1. 本封头采用整板热压成型, 不允许拼接.
2. 封头同一断面直径差值不大于1.5mm, 内径偏差为±5mm, 削薄前管板平面度不大于10mm.
3. 管孔划线偏差不得大于1.50mm, 钻孔之前应经过签名验收手续.

Technical Notes:

1. This header shall be formed by hotcompacting. It's fobbiden to made of parts.
2. Differential length of radius at same cross-section shall be less than 1.5mm. The allowable tolerance of inside diameter shall be controlled in ±5mm. The plane measure of header shall be less than 10 mm.
3. The allowable toerance of all the lines that connect collinear central points from head to end will be less than 1.50mm.

					江苏索普赛瑞装备制造有限公司 Jiangsu SOPO-CERE Equipment Manufacturing CO. Ltd.		
					SA-516 Gr.70		后平管板 ID3000 t=75 TAIL TUBESHEET
MARK 标记	TOTAL NO. 处数	FILE NO. 更改文件号	SIGN 签名	DATE 日期	WEIGHT(kg) 重量	SCALE 比例	
DESIGN 设计	许大宇 2024.2.19		SERIAL# 产品编号		3053	1:20	0
APPROVE 批准	赵晓梅 2024.2.19		24-1004GQ1/24-1005GQ1 24-1006GQ1/24-1007GQ1		TOTAL-PAGES 共 张	No.-PAGE 第 张	
					11SCG2402-2-3		

本图纸及相关文件版权属于江苏索普赛瑞装备制造有限公司所有, 任何单位和个人未经江苏索普赛瑞装备制造有限公司书面许可, 不得以任何方式复制或扩散至第三方, 违者应负相应法律责任。
THIS DRAWING AND RELEVANT DOCUMENT'S COPYRIGHT BELONGS TO SOPO-CERE EQUIPMENT MANUFACTURING CO., LTD. THEY MAY NOT BE REPRODUCED OR DISCLOSED TO ANY THIRD PARTY IN ANY FORM WITHOUT THE PRIOR WRITTEN PERMISSION OF Jiangsu SOPO-CERE EQUIPMENT MANUFACTURING CO., LTD. THE OFFENDERS SHALL BEAR THE CORRESPONDING LEGAL RESPONSIBILITY.